



## AUSTRALIA | Sydney

### YSSY/SYD

S33° 56' 46.00" / E151° 10' 38.00"  
34L/16R 12,999 ft. x 148 ft.

### Sydney International Airport

21 ft. 012° E 24 w/R +10 (+11 DST) AVGAS/JET  
HIRL ILS VOR AOE SLOTS

**Company name:** Universal Aviation Australia PTY Ltd.  
**Main Office:** Sydney  
**ICAO:** YSSY  
**Additional Offices:** Perth / YPPH  
**Locations served:** All of Australia  
**Radio frequency:** 131.95 MHz  
**SITA:** SYDOOUV  
**Manager:** Roger Cox  
**Phone:** +61 2 96930877  
**Mobile:** +61 4 222382165  
**Fax:** +61 2 96930878  
**E-mail:** [australia@universalaviation.aero](mailto:australia@universalaviation.aero)  
**Web:** [universalaviation.aero](http://universalaviation.aero)

### With Universal Aviation in Sydney, you...

#### Go Confident

- 24/7 staff availability
- Instantly recognizable with Universal Aviation uniforms
- Full ground handling services at Sydney and Perth International Airports and coordination Australia-wide
- Industry-leading training and audit system

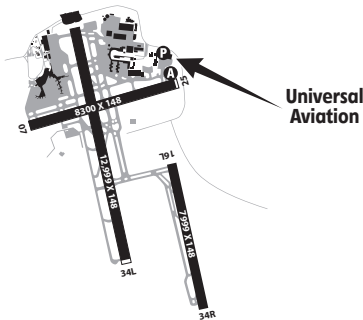
#### Go Convenient


- On-site customs, immigration, and quarantine processing
- Full maintenance facilities for Bombardier, Gulfstream, Falcon
- Discreet location on Sydney Airport providing for a short and direct journey to the CBD
- VIP lounge with boardroom, crew facilities, plus direct ramp access for passenger vehicles

#### Go Competitive

- Competitive handling rates billed directly by this Universal Aviation location or through your Universal® account
- Attractive fixed payment terms through UVair®

### Sydney International Airport



- A** Parking areas
- P** Passenger meeting areas
-  See next page for driving directions.

### Ground support capabilities

- Office hours 0001-2359
- Overflight and landing permit coordination
- UVair® contract fuel
- FAA-approved mechanic on site
- GPU support
- Lavatory service
- Flight planning assistance
- Global weather briefings
- VIP and corporate catering services
- VIP passenger lounge
- Transportation coordination
- Boardroom and meeting facilities
- VIP crew lounge
- Direct ramp access
- Customs and immigration

### Flight Support

- **RVSM:** Implemented
- **ACAS/TCAS II:** Turbine-powered aircraft must have TCAS II. Refer to CAR 262AC
- **ICAO Annex 16, Chapter II:** Chapter III has access, not chapter II. For exemptions refer to Jeppesen manual entry requirements chpt 2.14.
- **RNP 5 Airspace:** Currently not implemented
- **8.33 MHz Channel Spacing:** Not required
- **Airport Fire Protection Category:** Between 1900-1330Z: 9, between 1330-1900Z: 7
- **ICAO flight plans remain in system for 60 minutes after ETD**



## AUSTRALIA | Sydney

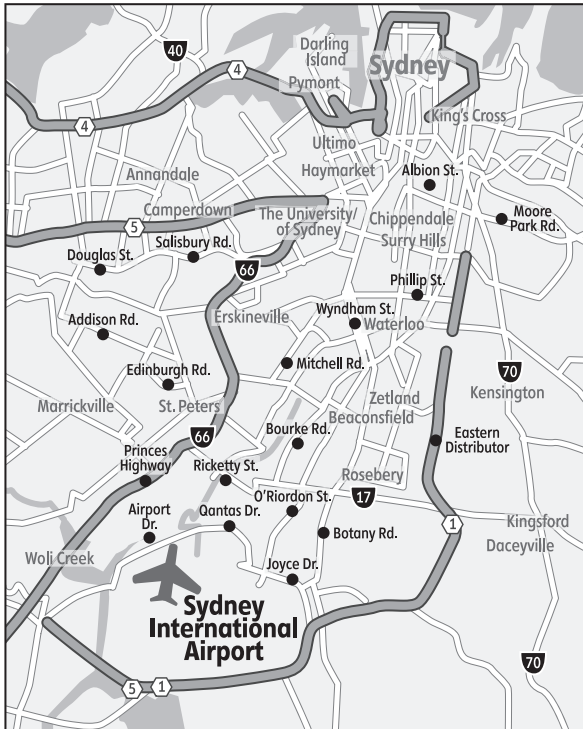
### YSSY/SYD

S33° 56' 46.00" / E151° 10' 38.00"  
34L/16R 12,999 ft. x 148 ft.

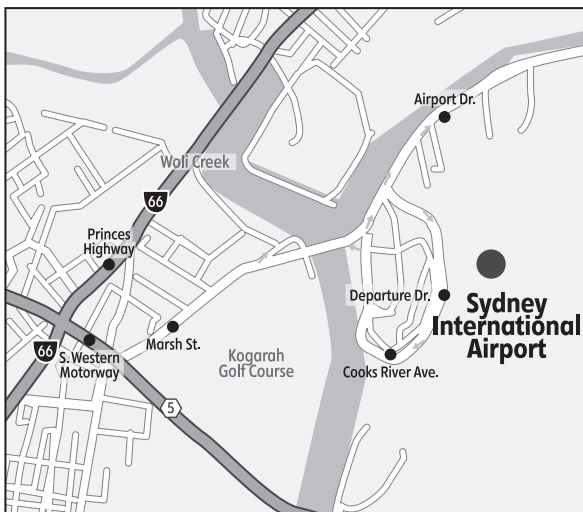
### Sydney International Airport

21 ft.	012° E	24 w/R	+10 (+11 DST)	AVGAS/JET
HIRL	ILS	VOR	AOE	SLOTS

#### City view



#### Airport view



#### Driving directions

##### Directions to airport

Traveling south on George Street, turn left at Park Street and continue onto William Street. Take the ramp on the right, traveling onto the Eastern Distributor, exiting on the right onto Mill Pond Drive. Turn right at General Holmes Drive and left at Ross Smith Avenue.

##### Directions to office

Travel through the main intersection at O'Riordan Street and Joyce Drive onto Sir Reginald Ansett Drive toward the domestic terminals. Take the first left and continue straight onto Ross Smith Avenue. Travel past Air Ambulance and Hawker Pacific and look to the right for the large white hangar.

- From Southern Cross Drive: Turn right onto General Holmes Drive and left onto Ross Smith Avenue. Follow corporate aviation signs.

- From southern suburbs along General Holmes Drive: Turn left onto Ross Smith Avenue and follow corporate aviation signs.

##### Facility address

Universal Aviation  
Hangar 394  
Ross Smith Avenue  
Mascot KSA, NSW 2020  
Australia

**Manager:** Roger Cox

**Phone:** +61 2 96930877

**Mobile:** +61 4 222382165

**Fax:** +61 2 96930878

**E-mail:** [australia@universalaviation.aero](mailto:australia@universalaviation.aero)

**Web:** [universalaviation.aero](http://universalaviation.aero)